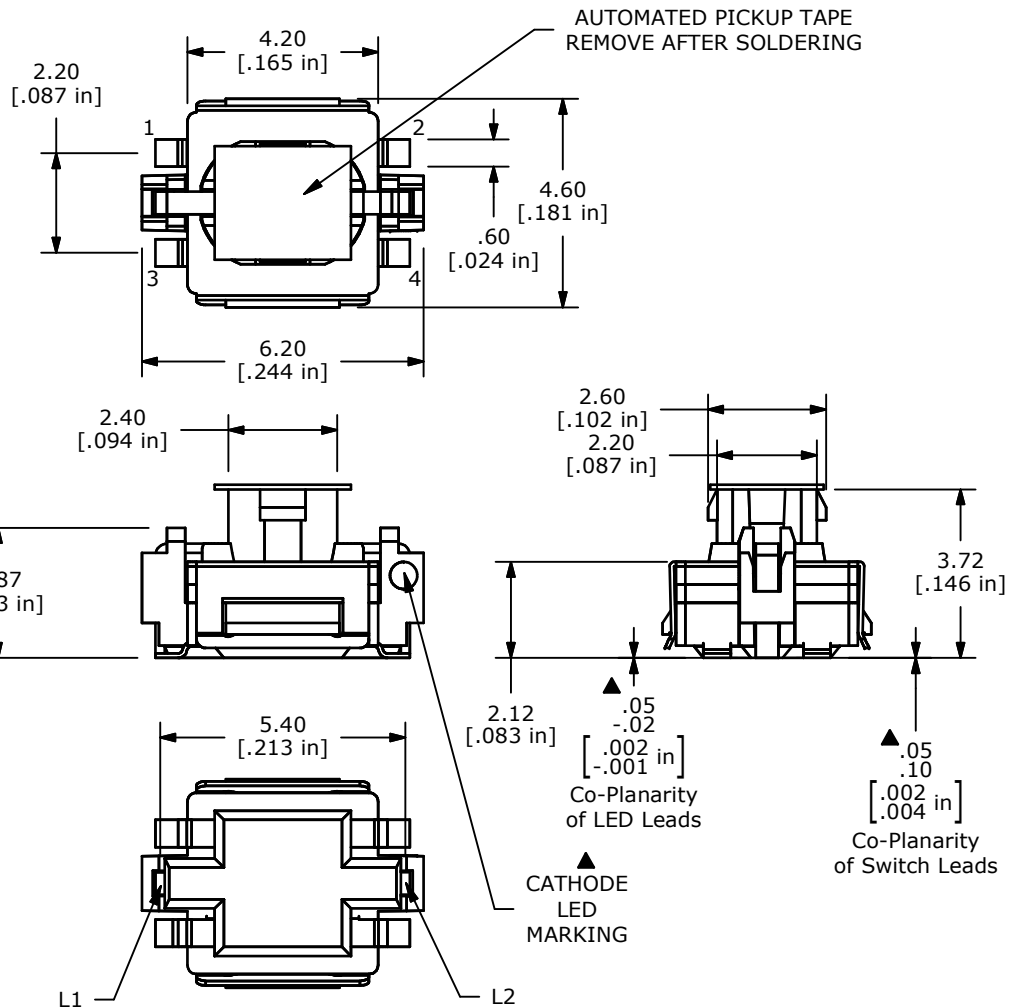


NOTES:

1. ALL DIMENSIONS IN MM [INCH]
2. GENERAL TOLERANCE: X.X=±0.4
X.XX=±0.25
3. RATING: 12VDC, 50mA MAX.
4. CONTACT RESISTANCE: 500mΩ MAX.
5. INSULATION RESISTANCE: 100MΩ MIN. @ 100VDC
6. TRAVEL: 0.45 ± 0.15 mm
7. DIELECTRIC STRENGTH: 250V AC FOR 1 MIN.
- ▲ 8. OPERATING FORCE: 200 ± 80gf
9. OPERATING TEMPERATURE: -20°C TO 70°C
10. OPERATING LIFE: 100,000 CYCLES.
11. PACKAGING: TAPE & REEL, 1000 PIECES PER REEL (B)
12. ▲ DENOTES CRITICAL PARAMETER
13. 2002/95/EC (ROHS) COMPLIANT



LED Specifications			
LED Color	Forward Current (mA)	Forward Voltage (V @ 20mA)	Luminous Intensity (mcd)
Yellow	20	1.6 min-2.0 typ	180 typ



TITLE TL6210AF200YQ			
SCALE	DATE 7/10/2014	DR rc	DWG B200402
REV B			

THE INFORMATION CONTAINED IN THIS DOCUMENT IS PROPRIETARY TO E-SWITCH AND IS NOT TO BE COPIED OR TRANSFERRED

B	21555	CHANGE REEL QTY FROM 2000 TO 1000	8/22/14	EBP
A	21518	New Release	7/14/14	rc
REV	PCR NO	DESCRIPTION	DATE	BY